

PHLUXi THz-SFPI

Scanning Fabry-Pérot Interferometer for THz-wave

Key Features

High resolution

Maximum resolution 120 MHz

Frequency-selectable

Choose frequency range by replacing reflectors

Easy operation

Simple software for stage control

Application software for measurement can be provided as option

Customize

Stages and reflectors are customizable

Specifications

Item code	TFPI-2
Measurable range ¹⁾	10~100 cm ⁻¹
FSR	0.8~20 cm ⁻¹
Resolution ²⁾	4 x 10 ⁻³ cm ⁻¹
Reflector gap	0~12 mm
Gap accuracy	+ / - 5 um
Optical path height	100 mm
Clear aperture	18 mm
Head dimensions	160 (L) x 70 (W) x 100 (H) mm ³
Head wieght	2.0 kg

Instrument includes

A pair of reflectors, a motorized stage, a stage controller, and simple software for stage controller.

¹⁾ Standard system includes reflectors for 10~30cm⁻¹ or 30~100cm⁻¹ (user selectable).

Larger aperture, narrower FSR can be applicable.

Outlook



■ Reflectors

Customized reflectors suitable for your requirements can be provided. Specifications for reflector calculated with your requirements. We suggest 2 or 3 sets of reflectors since single set of reflector sometimes doesn't fulfill your need.

■ Application software

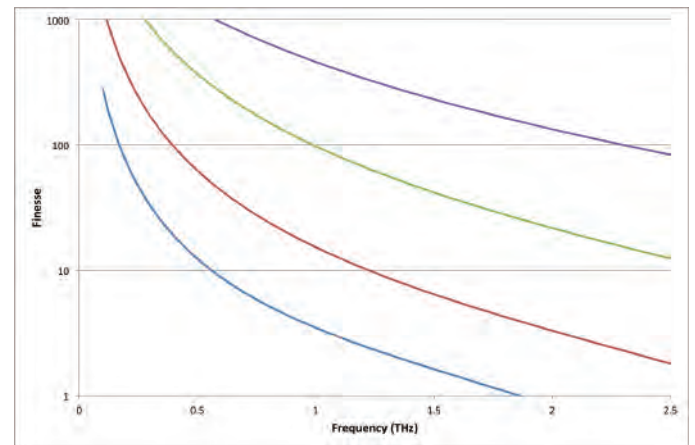
Application software for easy measurement is supplied separately as an option (DAQ system by NI* required). Operation without this software or using your own software also possible.

Operation conditions

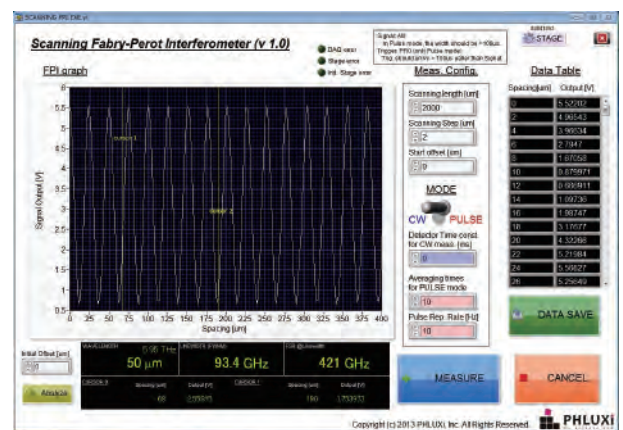
- Windows 7 or later
- Core Duo 1.5 GHz or higher
- RAM >1 GB
- HDD > 100MB
- Requirements for operating NI-DAQmx software
- NI DAQ hardware

*National Instruments

**Data acquisition rate depends on the specifications of DAQ

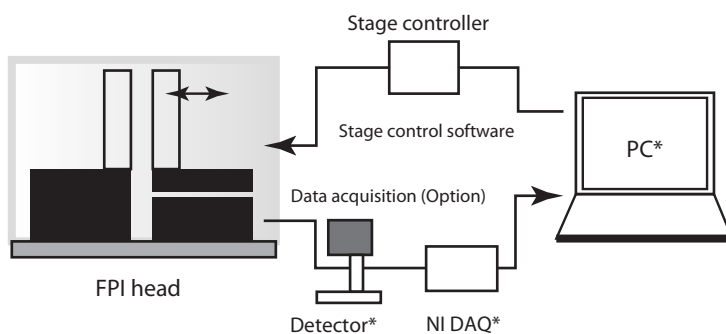


Calculation results of reflectors

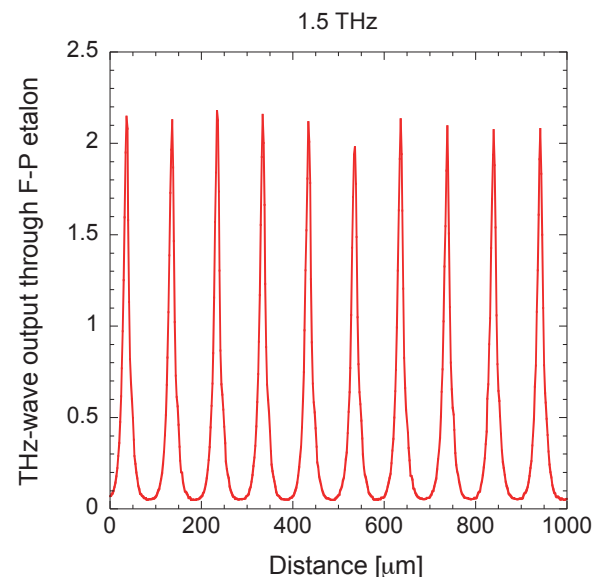


Main window of application software

■ Setup



**" indicated items not included.



Measurement of THz wave (1.5 THz / finesse 10)

■ Reflectors

Customized reflectors suitable for your requirements can be provided. Specifications for reflector calculated with your requirements. We suggest 2 or 3 sets of reflectors since single set of reflector sometimes doesn't fulfill your need.

■ Application software

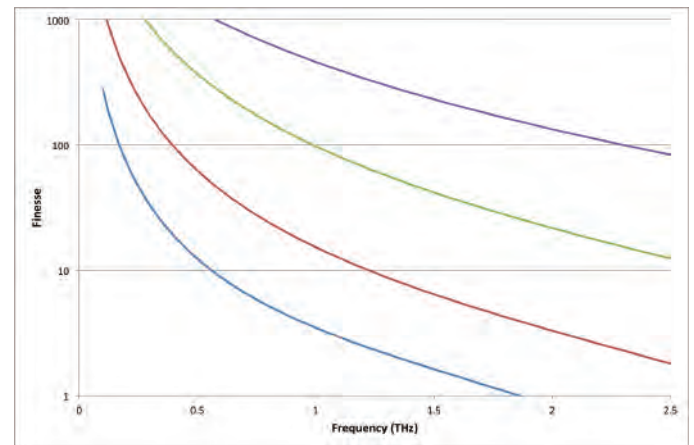
Application software for easy measurement is supplied separately as an option (DAQ system by NI* required). Operation without this software or using your own software also possible.

Operation conditions

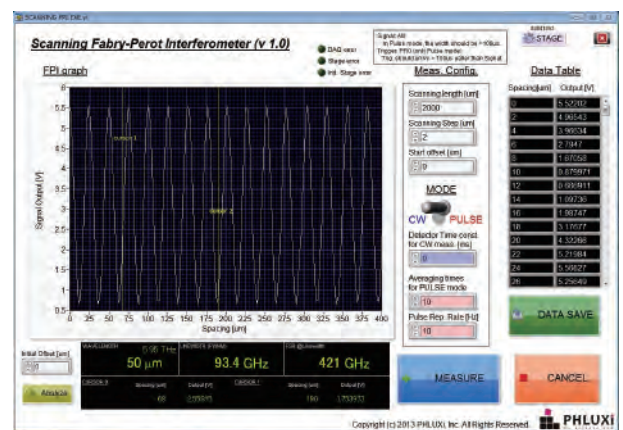
- Windows 7 or later
- Core Duo 1.5 GHz or higher
- RAM >1 GB
- HDD > 100MB
- Requirements for operating NI-DAQmx software
- NI DAQ hardware

*National Instruments

**Data acquisition rate depends on the specifications of DAQ

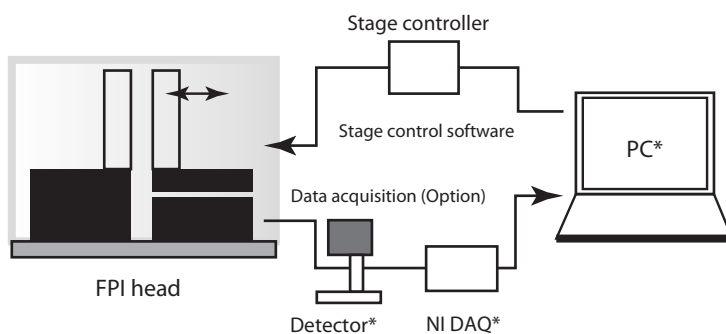


Calculation results of reflectors

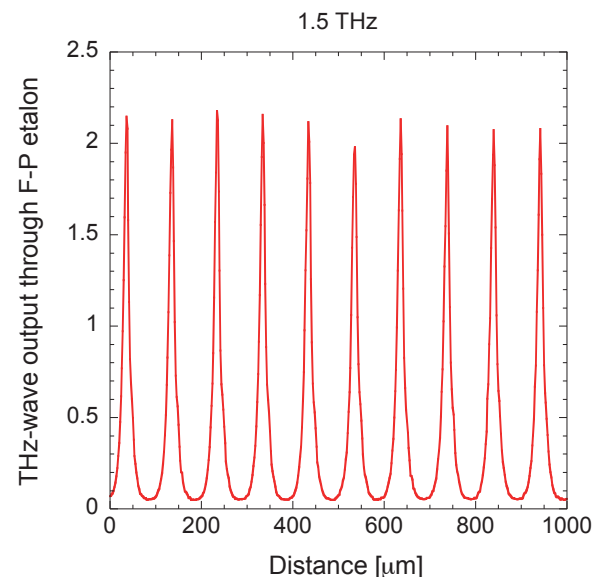


Main window of application software

■ Setup



**" indicated items not included.



Measurement of THz wave (1.5 THz / finesse 10)