

# PHLUXi Laser POD

## Laser Amplifier Module for Quasi-CW / CW Applications

### KEY FEATURES

All in one module

Just connect LD power supply and water chiller for operation

Laser medium

Choose laser medium as your requirement

High Power

Peak pump power up to 900 W (average 36 W)

Customization

Accept options, modification

### SPECIFICATIONS

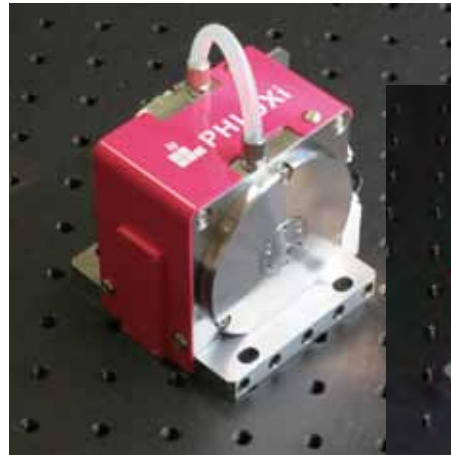
Model	POD-CS3/300P
Pump power per diode	300 W
Number of diode	3
Operating mode	QCW
Maximum pump pulse width	300 us
Maximum duty ratio	4 %
Pump wavelength	808 nm + / - 5 nm
Pumping area	10 mm at the center of rod
Height of optical axis <sup>1)</sup>	42 mm
Acceptable rod dimensions	2.5~4 mm-dia x 65 mm-l
Required electricity <sup>2)</sup>	>7 V, >270 A
Required cooling capacity <sup>3)</sup>	>100 W
Dimensions	86 (L) x 80 (W) x 81 (H) mm <sup>3</sup>
Weight	2.5 kg

1) Without riser base option

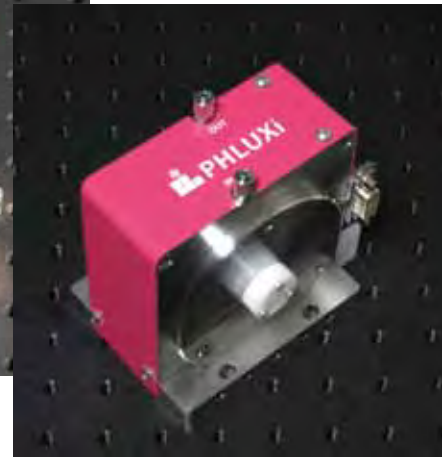
2) For the maximum rating of diode at the electrode of this module. No surge, no spike, and no overshooting required.

3) At the maximum operating conditions.

### OUTLOOK



POD-CS3/300P-2035  
(QCW model)



POD-AC3/80C (CW model)

\* Laser rod, riser base, external wire and tubing, and protector are not included.

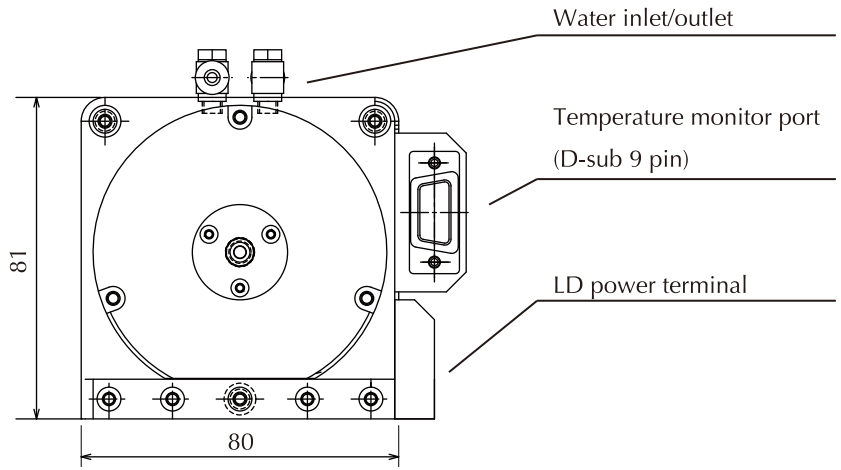
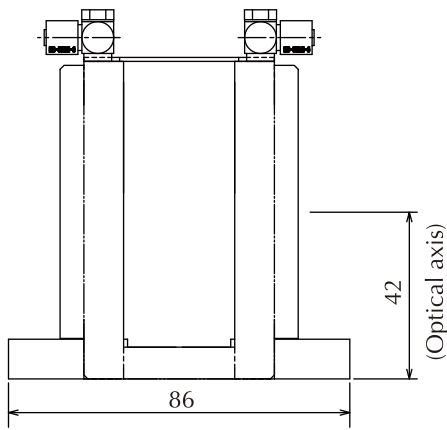
\* Specifications subject to change without notice.

### MODEL VARIATION

Operation Mode	QCW / CW
Diode Power	80 ~ 300 W for QCW, 30~80 W for CW
Diode Built-in FAC	With / without FAC
Diode Wavelength	790~940 nm
Rod diameter	Up to 5.5 mm

### OPTION

Riser base
External wiring / tubing
Rod protection mask



Dimensions (item# POD-CS3/300P-2035)

## TECHNICAL DATA

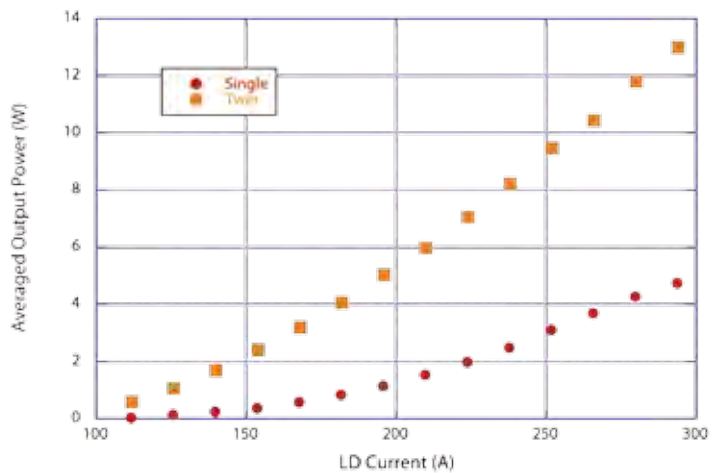
### TESTING CONDITIONS

Material  
 Module type POD-CS3/300P-2035-NdYAG1  
 Laser medium Nd:YAG, 0.8% Nd-doped,  
 3 mm-dia x 65 mm

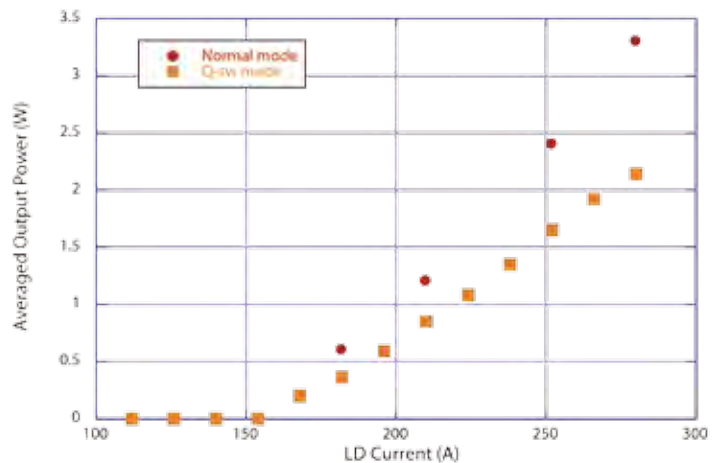
Laser resonator  
 Cavity length 450 mm  
 Output coupling ~70%

LD operation  
 Pulse width 200 us  
 Repetition rate 100 Hz  
 Water temp 22 deg C

Q-switching  
 Device Gooch & Housego  
 IMPACT-8 Pockels cell  
 Q-switch delay 205 us



Output power as a function of LD current in a short (~300 mm) laser cavity for single / twin module in normal (non Q-sw) mode operation.



Output power as a function of LD current in a short (~300 mm) laser cavity for single module in giant pulse (Q-sw) mode operation.